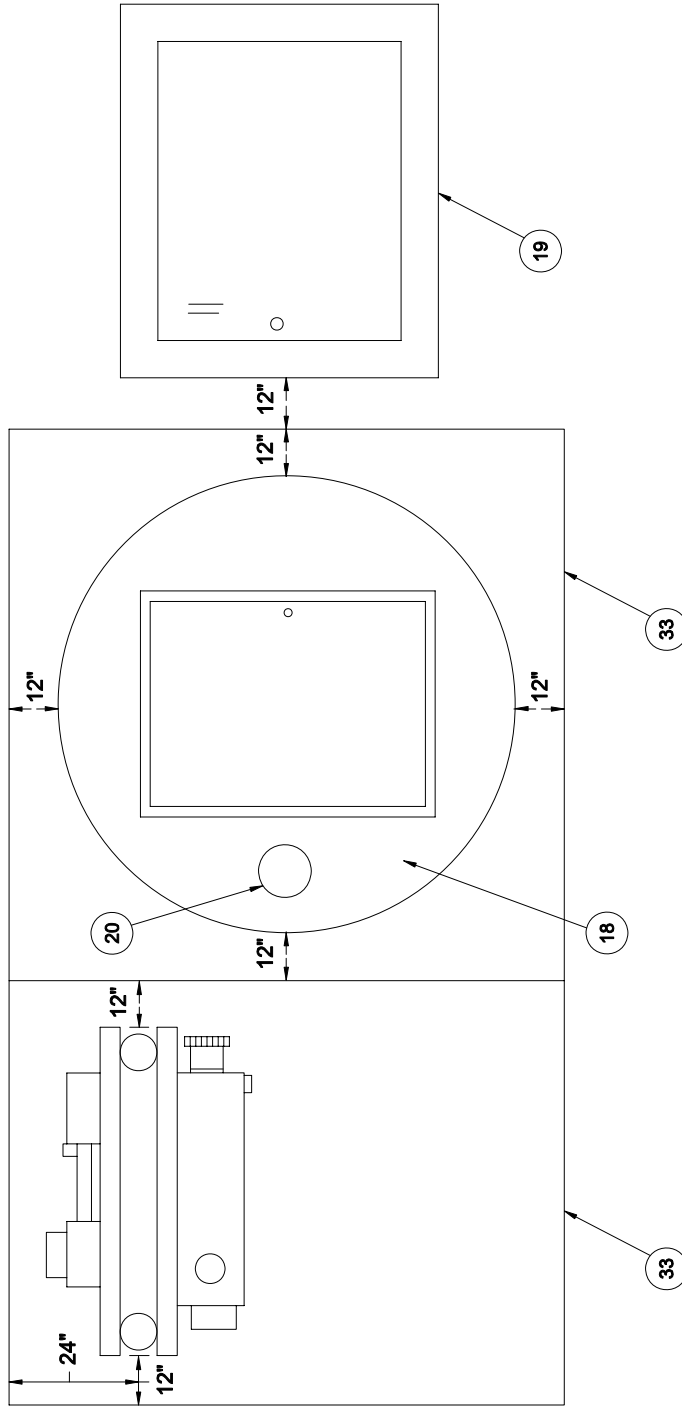


ISSUE DATE JANUARY 1st, 2008

SECTION 5G FIBERGLASS PACKAGE LIFT STATION





**FIBERGLASS PACKAGE
PLAN SITE LAYOUT-TOP OF WET WELL AND VALVE VAULT**

DATE: 1/1/2008

DRAWN BY: DEC

APPROVED BY: TGD

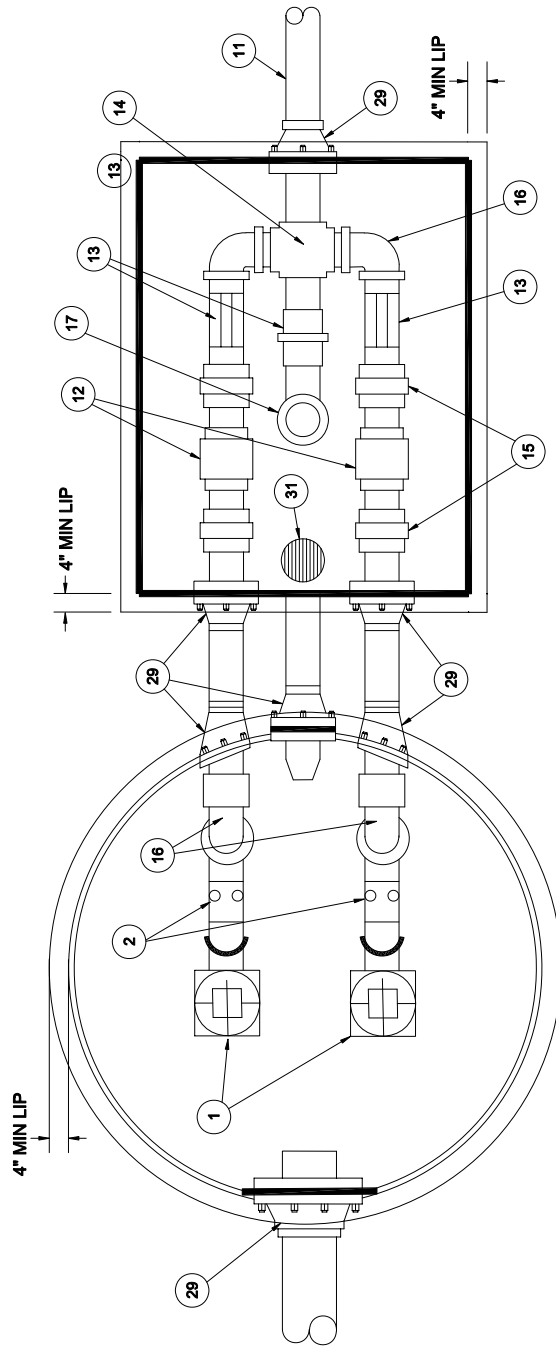
**FIBERGLASS PACKAGE LS
SITE PLAN**

CHARLOTTE COUNTY UTILITIES

PROVIDED FOR INFORMATIONAL
PURPOSES ONLY.
NO MODIFICATIONS WITHOUT
WRITTEN CCU APPROVAL.

PAGE No. 111

NUMBER: FG-LS-SITE-PLN



FIBERGLASS PKG-PIPING-WET WELL & VALVE VAULT

DATE: 1/1/2008

DRAWN BY: DEC

APPROVED BY: TGD

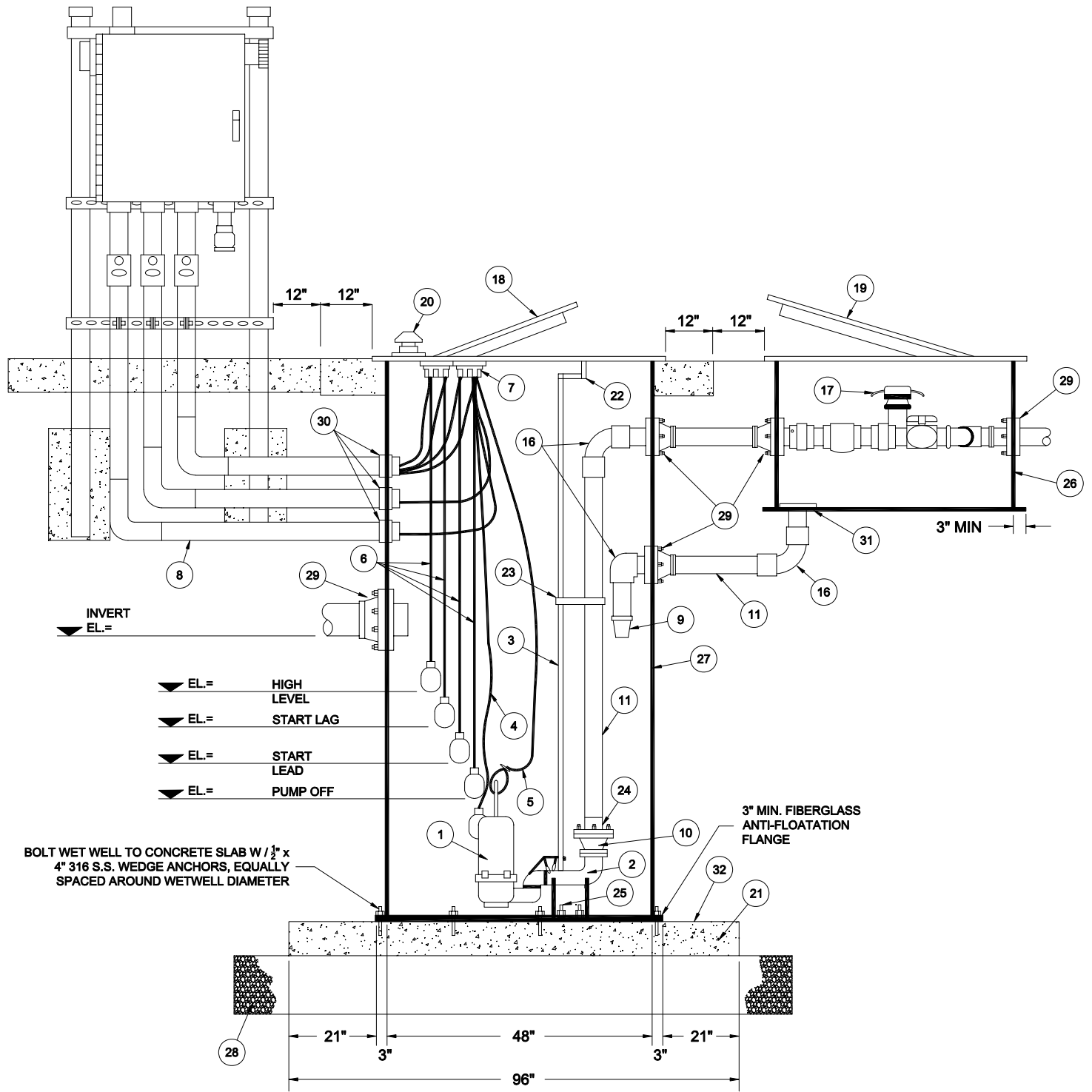
FIBERGLASS PACKAGE LS PIPING PLAN

CHARLOTTE COUNTY UTILITIES

PROVIDED FOR INFORMATIONAL
PURPOSES ONLY.
NO MODIFICATIONS WITHOUT
WRITTEN CCU APPROVAL.

PAGE No. 112

NUMBER: FG-LS-PIPE-PLN



DATE: 1/1/2008

DRAWN BY: DEC

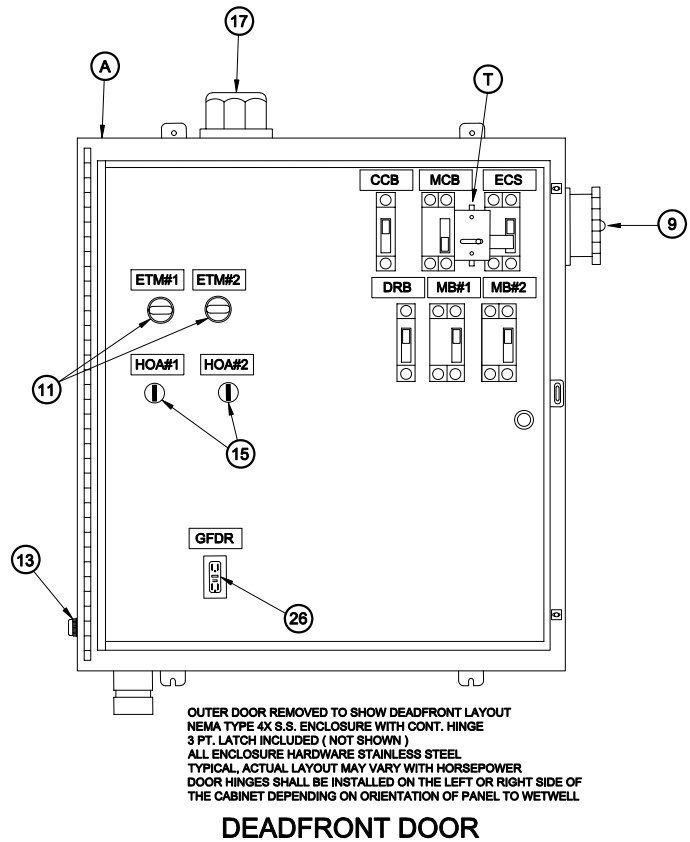
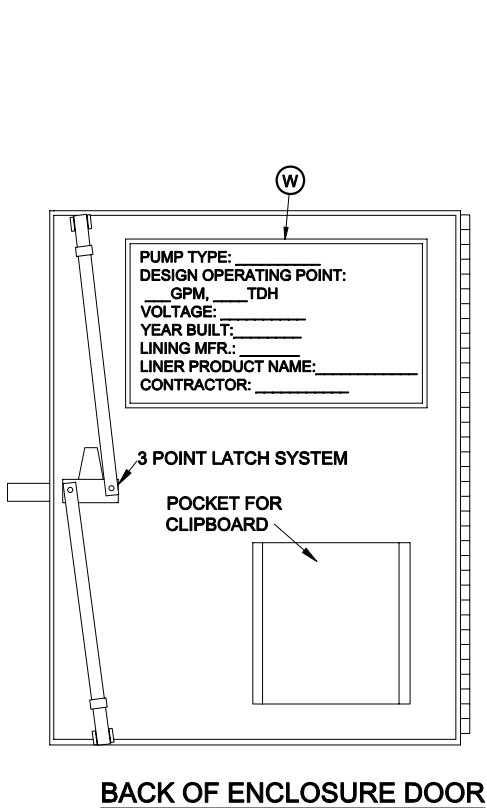
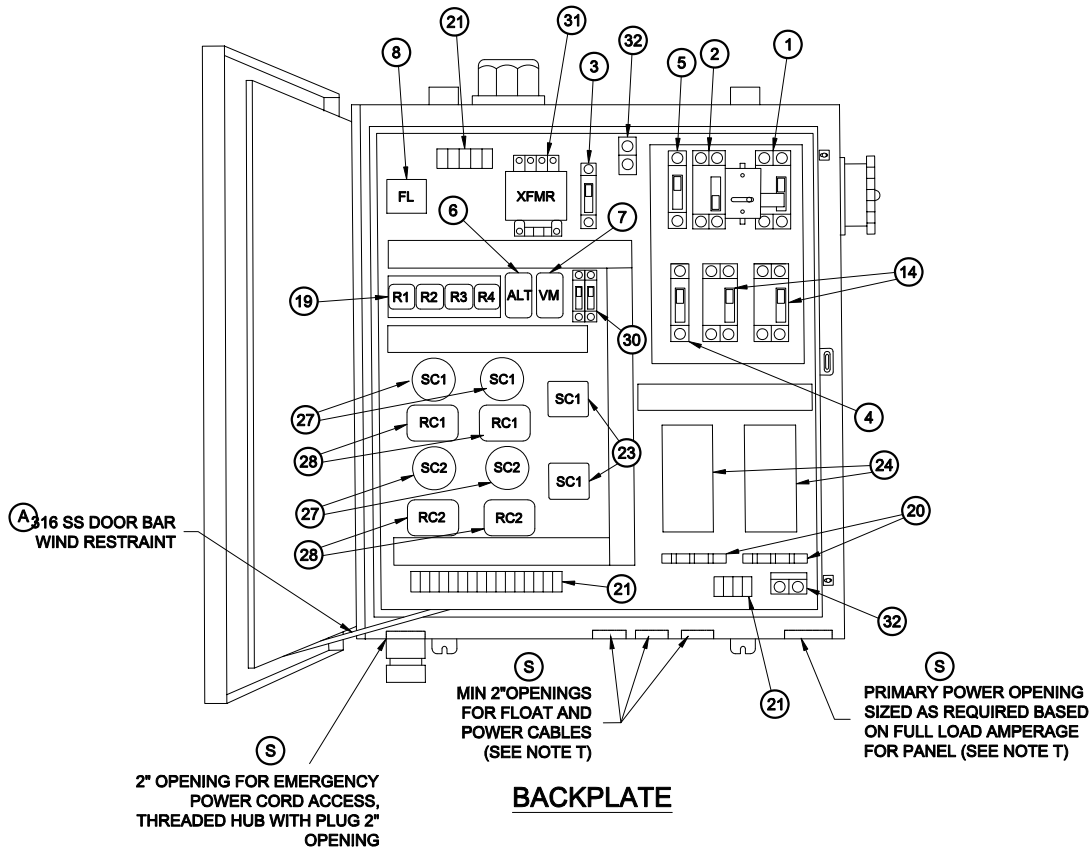
APPROVED BY: TGD

CROSS SECTION WETWELL & VALVE VAULT CHARLOTTE COUNTY UTILITIES

PROVIDED FOR INFORMATIONAL PURPOSES ONLY.
NO MODIFICATIONS WITHOUT WRITTEN CCU APPROVAL.

PAGE No. 113

NUMBER: FG-LS-XSEC-WETWELL



DATE: 1/1/2008

DRAWN BY: DEC

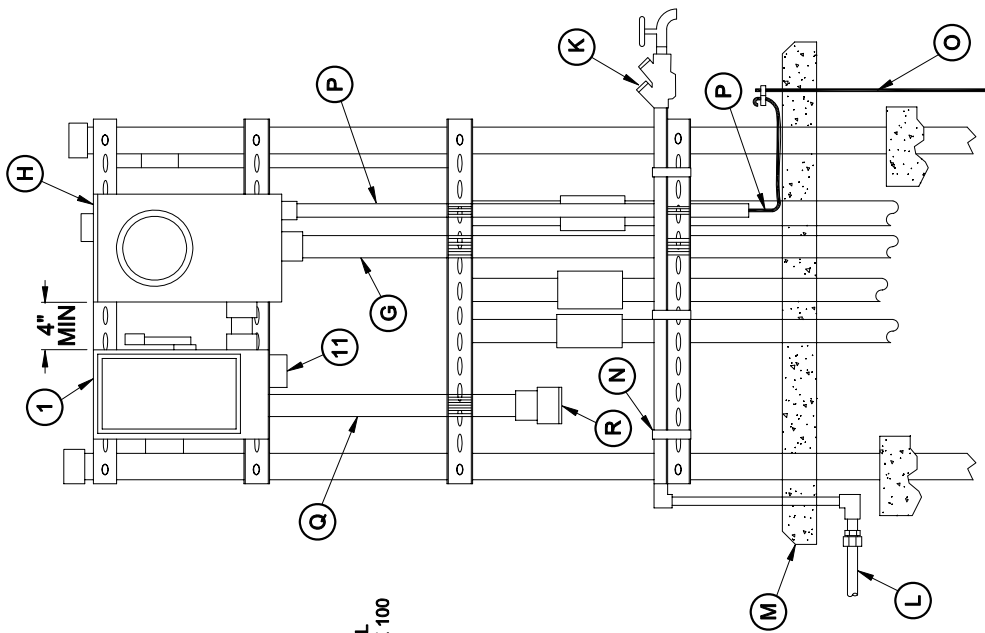
APPROVED BY: TGD

FIBERGLASS PACKAGE CONTROL PANEL LAYOUT CHARLOTTE COUNTY UTILITIES

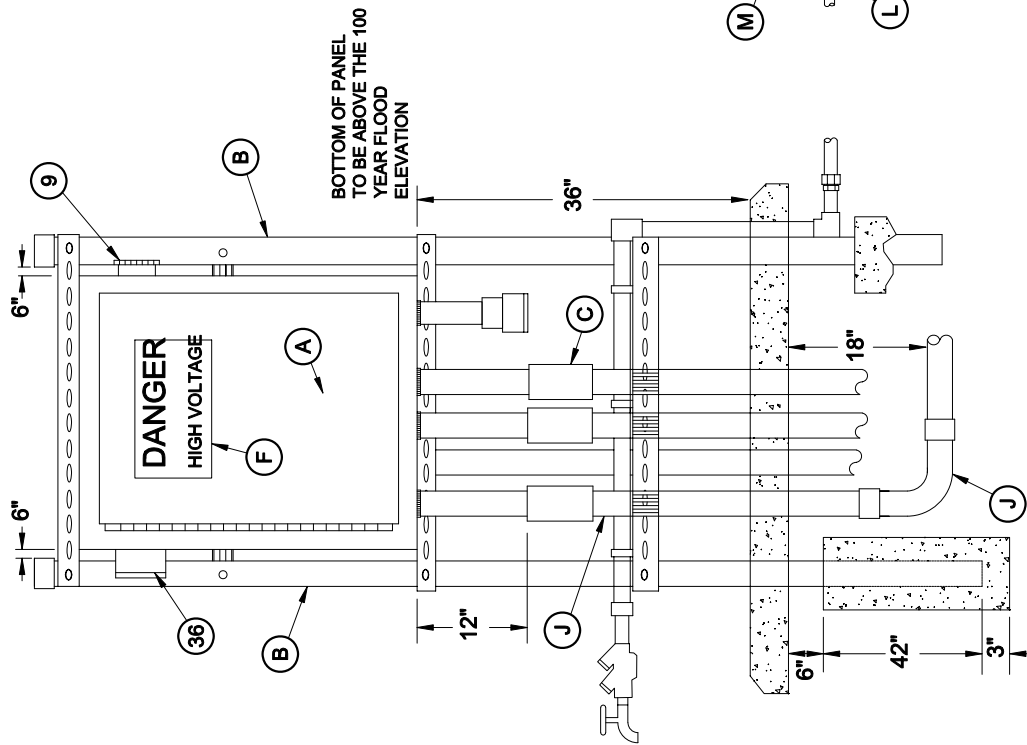
PROVIDED FOR INFORMATIONAL PURPOSES ONLY.
 NO MODIFICATIONS WITHOUT WRITTEN CCU APPROVAL.

PAGE No. 114

NUMBER: FG-LS-CP-LAYOUT



BACK VIEW



FRONT VIEW

BOTTOM OF PANEL
TO BE ABOVE THE 100
YEAR FLOOD
ELEVATION

DATE: 1/1/2008

DRAWN BY: DEC

APPROVED BY: TGD

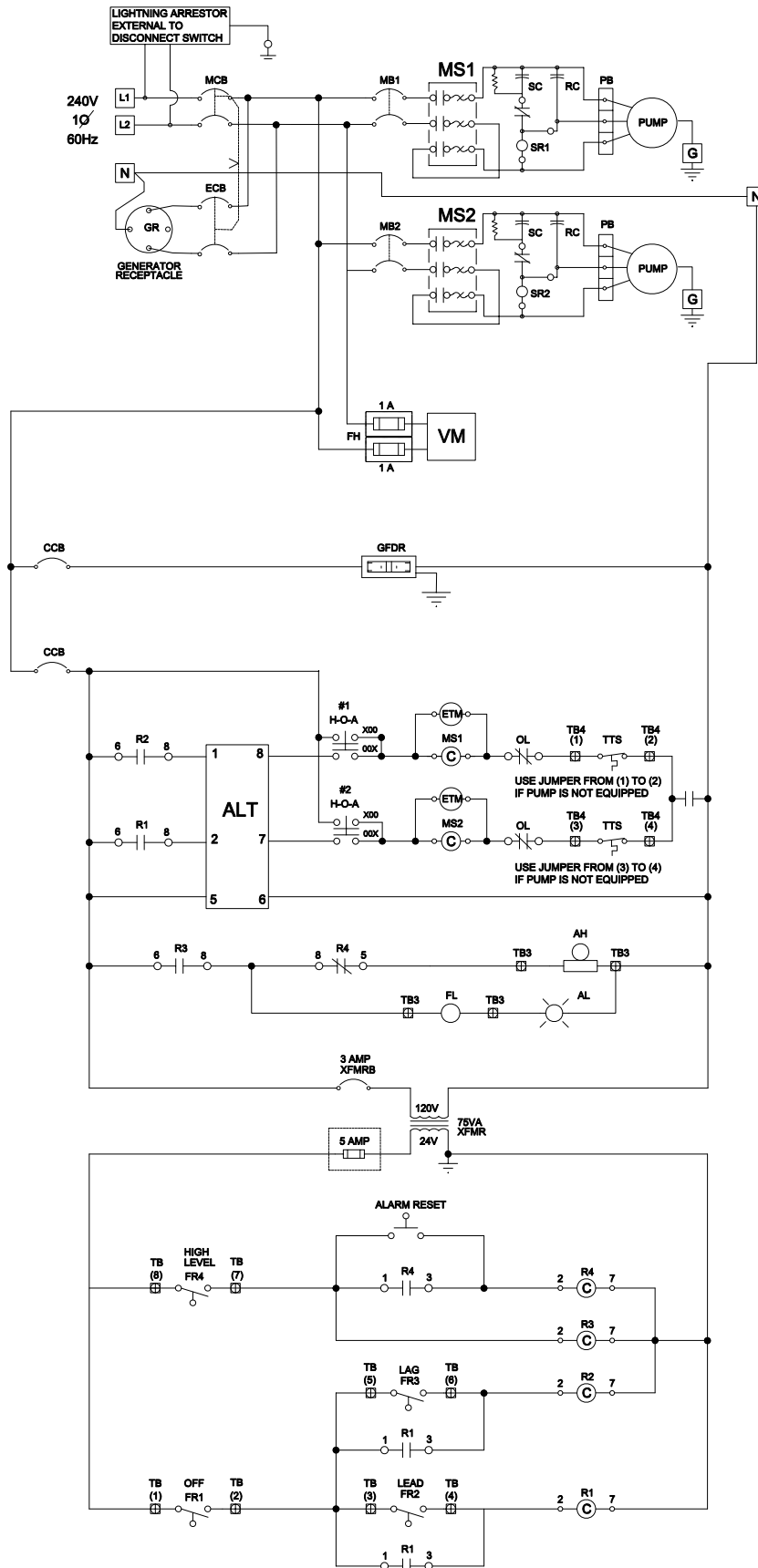
CONTROL PANEL MOUNTING

CHARLOTTE COUNTY UTILITIES

PROVIDED FOR INFORMATIONAL
PURPOSES ONLY.
NO MODIFICATIONS WITHOUT
WRITTEN CCU APPROVAL.

PAGE No. 115

NUMBER: FG-LS-PNL-MNT



DATE: 1/1/2008

DRAWN BY: DEC

APPROVED BY: TGD

FIBERGLASS PKG. LS CONTROL PANEL SCHEMATIC

CHARLOTTE COUNTY UTILITIES

PROVIDED FOR INFORMATIONAL PURPOSES ONLY. NO MODIFICATIONS WITHOUT WRITTEN CCU APPROVAL.

PAGE No. 116

NUMBER: FG-LS-CP-SCH

WETWELL VALVE VAULT LEGEND

1. _____ " SUBMERSIBLE PUMP - MANUFACTURER _____, MODEL NO. _____, IMPELLER NO. _____, _____ VOLTS, _____ H.P., _____ GPM @TDH, 1 PHASE WITH POWER CABLES (2 REQUIRED).
2. _____ " STANDARD DISCHARGE CONNECTION (2 REQ'D). ADJUST FOR PUMP TO WETWELL BOTTOM CLEARANCE AS REQUIRED BY PUMP MANUFACTURER WITH 316 STAINLESS STEEL (S.S.) ANCHOR BOLTS.
3. _____ " DIAMETER SCH 40 WELDED 304 S.S. PIPE, MUST BE WITHIN 1/4" TOLERANCE OF FITTING INTO GUIDE RAIL BRACKETS AS PER MFG., (4 REQUIRED).
4. PUMP POWER CABLE (FURNISHED BY MANUFACTURER) SHALL BE CONTINUOUS (NO SPLICES) FROM PUMP TO PANEL (2 REQUIRED).
5. PUMP LIFTING CHAIN 3/8" TYPE 316 S.S. SUPPLIED WITH 3/8 CLEVIS TYPE 316 S.S. ON EACH END (2 REQUIRED).
6. ROTO FLOAT TYPE S LIQUID LEVEL SENSOR, EACH SENSOR CABLE SHALL BE A CONTINUOUS (NO SPLICES) AND A MINIMUM OF 40 FEET IN LENGTH (5 REQUIRED).
7. LIQUID LEVEL SENSOR CABLE HOLDER TYPE 304 S.S. WITH PUMP LIFTING CABLE RING. FURNISH WITH NO LESS THAN 6 PRONGS.
8. 2" CONDUIT FOR CABLES (3 REQUIRED). FROM TOP OF SWEEP TO CONTROL PANEL TO BE 316 S.S. & FROM TOP OF SWEEP TO INSIDE OF WETWELL TO BE PVC SCH. 80. CLAMP CONDUIT TO BOTTOM STRUT OF CONTROL PANEL WITH S.S.CONDUIT CLAMPS.
9. DUCKBILL WITH S.S. CLAMP..
10. _____ " x _____ " MJ REDUCER (IF NEEDED)
11. 2" PVC SCH. 80.
12. 2" SOLVENT WELD SCH. 80 PVC SWING CHECK VALVE.
13. 2" SOLVENT WELD SCH. 80 PVC BALL VALVE.
14. 2" SOLVENT WELD SCH. 80 PVC CROSS
15. 2" SOLVENT WELD SCH. 80 PVC UNION
16. 2" SOLVENT WELD SCH. 80 PVC 90 DEGREE ELBOW.
17. 6" ALUMINUM KAMLOK COUPLER WITH CAP AND CHAIN.
18. WET WELL COVER AND ACCESS HATCH WITH LOCK BAR SHALL BE COSTRUCTED OF 0.250 INCHES THICK MILL. FINISH ALUMINUM DIAMOND PLATE WITH 316 S.S. HARDWARE, ACCESS HATCH SHALL BE HELD OPEN IN VERTICAL POSITION BY MEANS OF A POSITIVE LOCKING ARM.
19. VALVE VAULT COVER AND ACCESS HATCH WITH LOCK BAR SHALL BE COSTRUCTED OF 0.250 INCHES THICK MILL. FINISH ALUMINUM DIAMOND PLATE WITH 316 S.S. HARDWARE, ACCESS HATCH SHALL BE HELD OPEN IN VERTICAL POSITION BY MEANS OF A POSITIVE LOCKING ARM
20. STATION VENT - COMPRISED OF 2" AUMINIUM NPT VENT FLANGE WITH 2" 304 S.S. PIPE AND VANDAL PROOF LID.
21. #5 REBAR AT 12" ON CENTER EACH WAY.
22. UPPER GUIDE RAIL BRACKETS (2 REQUIRED) TYPE 304 SS, WITH 316 S.S. HARDWARE. AS PER PUMP MFG.
23. FOR GUIDE RAILS OVER 15 FT INSTALL INTERMEDIATE GUIDE RAIL BRACKETS (2 REQUIRED) TYPE 316 SS, WITH 316 SS MOUNTING HARDWARE.
24. SCH. 80 SOLVENT WELD FLANGE WITH GASKET, 316 S.S. NUTS, BOLTS AND WASHERS.
25. ANCHOR BOLTS TYPE 316 S.S. (PER MANUFACTURERS SPECS.) 4 PER PUMP
26. VALVE VAULT - SHALL BE OF COMMERCIAL GRADE GLASS FIBER REINFORCED POLYESTER PER **ASTM D3753** SIZED TO ACCOMODATE VALVE ASSEMBLY.
27. WET WELL - SHALL BE ONE PIECE COMMERCIAL GRADE GLASS FIBER REINFORCED POLYESTER PER **ASTM D3753** SAND SHALL BE PROVIDED WITH AN ANTI-FLOATATION RING WITH A MINIMUM DIAMITER OF 3" LARGER THAN THE WET WELL BASIN.
28. PROVIDE 12 INCHES OF COMPACTED CRUSHED STONE OR PEA GRAVEL LEVELING COURSE. COMPACT TO STABILIZE. WETWELL SHALL BE PLACED ON UNDISTURBED SUB BASE OR 100% COMPACTED CLEAN FILL.
29. _____ " FLEXIBLE ENTRY BOOT WITH 300 SERIES S.S HARDWARE
30. _____ " RUBBER ENTRY GROMMET.
31. PVC DRAIN GRATE WITH GASKET.
32. PRECAST CONCRETE SLAB, A MINIMUM OF 8" X 8" THICK REINFORCED 4000 PSI TYPE II CONCRETE
33. 8" CONCRETE SLAB TO BE FORMED AND Poured IN PLACE AROUND WETWELL TOP AND MMC, SLAB IS TO BE 3000 PSI WITH FIBER MESH AND EVEN WITH WETWELL TOP AND TO HAVE BROOM FINISH.

DATE: 1/1/2008
DRAWN BY: DEC
APPROVED BY: TGD

**FIBERGLASS PACKAGE
WETWELL LEGEND
CHARLOTTE COUNTY UTILITIES**

PROVIDED FOR INFORMATIONAL PURPOSES ONLY. NO MODIFICATIONS WITHOUT WRITTEN CCU APPROVAL.
PAGE No. 117
NUMBER: FG-LS-WETWELL-LGND

EQUIPMENT SPECIFICATION				FIBERGLASS PACKAGE LIFTSTATION				
	NOTE:	AS PER APPROVED MFG. SHOP DRAWINGS				LABEL SPECIFICATION		
ITEM NO.	ABBREV.	PART	QUANTITY	DESCRIPTION	LABEL INSCRIPTION IN WHITE	QUANTITY	COLOR	
1	ECB	EMERGENCY CIRCUIT BREAKER	1	SQ-D FAL ____ 2-POLE ____ AMP	ECB	1	BLACK	
2	MCB	MAIN CIRCUIT BREAKER	1	SQ-D FAL ____ 2-POLE ____ AMP	MCB	1		
3	XFMRCB	TRANSFORMER CIRCUIT BREAKER	1	MERLIN GERIN "C" CURVE SETTING 1-POLE ____ AMP				
4	DRB	DUPLEX RECEIPTAL BREAKER W/GFI	1	SQ-D FAL ____ 1-POLE ____ AMP	DRB	1	BLACK	
5	CCB	CONTROL CIRCUIT BREAKER	1	SQ-D FAL ____ 1-POLE ____ AMP	CCB	1	BLACK	
6	ALT	ALTERNATING RELAY	1	DIVERSIFIED ELECTRONICS ARA 120 ARE				
7	VM	VOLTAGE MONITOR	1	DIVERSIFIED ELECTRONICS TDT SERIES				
8	FL	FLASHER	1	SSAC FS-126				
9	GR	GENERATOR RECEPTACLE	1	PYLE MFG. JRE-4100PR				
10	LA	LIGHTNING ARRESTER	1	SQ-D #SDSA3850 650 V, 1PH				
11	ETM	ELAPSED TIME METER	2	ETMAC 200-10NG7 ROUND MOUNT	ETM#1	1	BLACK	
					ETM#2	1	BLACK	
12	OL	OVERLOAD HEATER	4	SQ-D _____, _____				
13	ASB	ALARM SILENCE BUTTON	1	SQ-D SKRIRH13	ASB	1	BLACK	
14	MB	MOTOR BREAKER PUMP #1 AND #2	2	SQ-D QOU ____ 2 POLE ____ A	MB #1	1	BLACK	
					MB #2	1	BLACK	
15	HOA	HAND-OFF-AUTO-SWITCH	2	SQ-D SWITCH CSS0001SKS43B	HOA #1	1	BLACK	
					HOA #2	1	BLACK	
16	FR	FLOAT REGULATOR	4	ROTO-FLOAT TYPE S, LIQUID LEVEL SENSOR				
17	AL	ALARM LIGHT	1	SQ-D SKSF43BH2 & KA1				
18	AH	ALARM HORN	1	ALA-878-N5. EDWARDS				
19	LCR	LEVEL CONTROL RELAY #1	4	DAYTON 8-PIN 24 VAC 50/60 HZ #5Z462 W/ SOCKET # 5X852				
20	PB	POWER BLOCK	2	BUSSMAN 16000-3				
21	TB	TERMINAL BLOCK	30	SQ-D 5B364				
22	NB	NEUTRAL BLOCK	1	GB-1 WEIDMUELLER				
23	SR	STARTER RELAY	2	STEVECO 90-64 RBM TYPE 12800				
24	MS	MOTOR STARTER	2	SQ-D NEMA SIZE				
25	TH	THREADED HUBS WITH PLUGS	1	MEYERS 2" ST-5				
26	GFDR	GROUND FAULT DUPLEX RECEPTACLE	1	15A - LEVITON	GFDR	1	BLACK	
27	SC	START CAPACITOR	2	PACKARD _____ MFD				
28	RC	RUN CAPACITOR	2	DAYTON 370 VAC _____ UF				
30	FH	FUSE HOLDER	2	BUSSMANN CHM11 TOUCH SAFE DIN				
31	XFMRCB	TRANSFORMER	1	SQ-D 120/240 PRIMARY 24 SECONDARY 9070TF50D23				
32	GND	GROUND	1	THOMAS AND BETTS ADR35 - 22				
		LABELS SHALL BE LAMINATED PLASTIC WITH WHITE 1/4" HIGH ENGRAVED LETTERS. BACKGROUND COLOR OF LABELS SHALL BE AS INDICATED ABOVE. LABELS SHALL BE ATTACHED WITH PERMANENT ADHESIVE. ALL WIRES WITHIN THE CONTROL PANEL SHALL BE STRANDED WIRE AND BE PERMANENTLY NUMBERED						

DATE: 1/1/2008

DRAWN BY: DEC

APPROVED BY: TGD

FIBERGLASS PKG - CONTROL PANEL EQUIPMENT SPECIFICATION

CHARLOTTE COUNTY UTILITIES

PROVIDED FOR INFORMATIONAL PURPOSES ONLY.
NO MODIFICATIONS WITHOUT WRITTEN CCU APPROVAL.

PAGE No. 118

NUMBER: FG-LS-EQIP-SPCS

CONTROL PANEL LEGEND	FIBERGLASS PACKAGE STATION
AB -ALARM BELL	MB -MOTOR BREAKER
AH -ALARM HORN	MCB -MAIN CIRCUIT BREAKER
AL -ALARM LIGHT	MS -MOTOR STARTER
ASB -ALARM SILENCE BUTTON	NB - NEUTRAL BLOCK
CCB -CONTROL CIRCUIT BREAKER	OL -OVERLOAD
DRB -DUPLEX RECEPTACLE BREAKER	PCM -PUMP CONTROL MODULE
ECB -EMERGENCY CIRCUIT BREAKER	PB -POWER BLOCK
ETM -ELAPSED TIME METER	R -RELAY
F -FUUSE	RC RUN CAPACITOR
FL -FLASHER	SC START CAPACITOR
FR -FLOAT REGULATOR	SR -STARTER RELAY
FTS -FLOAT TEST SWITCH	TB -TERMINAL BLOCK
GFDR -GROUND FAULT DUPLEX RECEPTACLE	TTS -TYPICAL THERMAL SWITCH
GND -GROUND	VM -VOLTAGE MONITOR
GR -GENERATOR RECEPTACLE	XFMR -TRANSFORMER
HOA -HAND-OFF-AUTO SELECTOR SWITCH	XFMRB -TRANSFORMER BREAKER

DATE: 1/1/2008

DRAWN BY: DEC

APPROVED BY: TGD

**FIBERGLASS PACKAGE
CONTROL PANEL LEGEND
CHARLOTTE COUNTY UTILITIES**

PROVIDED FOR INFORMATIONAL
PURPOSES ONLY.
NO MODIFICATIONS WITHOUT
WRITTEN CCU APPROVAL.

PAGE No. 119

NUMBER: FG-LS-CP-LEGEND

CONTROL PANEL MOUNTING NOTES

FIBERGLASS PACKAGE LIFTSTATION

A	CONTROL PANEL ENCLOSURE SHALL BE TYPE 304 STAINLESS, WITH ALUMINUM DEADFRONT DOOR AND BACKPLATE. ENCLOSURE SHALL BE, NEMA 4X GASKETED TYPE WITH PADLOCKABLE HASP. THREE POINT LATCH SYSTEM AND WIND RESTRAINER ARM THAT INCLUDES HARDWARE TO RESTRAIN DEAD FRONT DOOR WHEN OPEN. ALL METAL COMPONENTS OF LATCH SYSTEM AND RESTRAINER TO BE MANUFACTURED OF TYPE 304 STAINLESS STEEL.
B	TWO (2) 4" DIAMETER ALUMINUM PIPE SCH 80 WITH 4" WELDED ALUMINUM CAP. PIPES SHALL BE A MINIMUM OF 10 FEET LONG WITH A MIN. OF 4' BURIED PIPE SHALL BE ANCHORED IN CONCRETE FROM 3" BELOW BOTTOM OF PIPE TO ONE FOOT BELOW FINISHED GRADE. PIPE SHALL BE FURNISHED WITH TYPE 304 STAINLESS STEEL H-1 7/8" CHANNEL STRUT C/W TYPE 304 S.S. NUTS AND BOLTS TO SUIT. AS SUPPLIED BY B-LINE SYSTEMS OR EQUAL. ISOLATE DISSIMILAR METALS WITH RUBBER GASKETS.
C	"EY6" EXPLOSION PROOF CLASS 1 SEAL-OFF 2" DIA. SEAL WITH NON-HARDENING CONDUIT SEALANT AS APPROVED BY MANUFACTURER FOR TEMPORARY SEAL. (3 REQUIRED)
D	ALL FASTENERS FOR CONSTRUCTION OF THE PANEL ENCLOSURE SHALL BE TYPE 304 S.S. SCREWS, NUTS, BOLTS AND WASHERS.
E	ALL STRUCTURAL OR ELECTRICAL COMPONENTS OF CONTROL PANEL SHALL BE AS SPECIFIED HEREIN AND IN TABLES OR APPROVED EQUAL. ALL ELECTRICAL COMPONENTS AND WIRING SHALL BE IN ACCORDANCE WITH N.E.C. - LATEST REVISION. ANY LOCAL ELECTRIC CODES IN CONFLICT WITH THE DETAIL SHOWN, SHALL BE RESOLVED BY THE ELECTRICAL CONTRACTOR WITH THE APPROVAL OF CCU ENGINEER PRIOR TO CONSTRUCTION.
F	PLASTIC WARNING LABELS STATING "DANGER HIGH VOLTAGE" MUST BE INSTALLED ON THE OUTSIDE OF THE ENCLOSURE DOOR (TO O.S.H.A. SPECIFICATIONS). SECURE LABEL TO DOOR WITH ADHESIVE OR CEMENT.
G	_____ VOLTS, 60 CYCLE, 1 PHASE, _____ NUMBER _____ GAUGE WIRES IN 2" MIN. SCH 80 PVC CONDUIT, TO BE EXTENDED FROM METER TO DISCONNECT. CONTRACTOR TO INSTALL CONDUIT FROM METER CAN TO F.P.L. SERVICE POLE. POWER COMPANY TO CONNECT PRIMARY POWER SERVICE THROUGH UNDERGROUND SERVICE.
H	SERVICE METER'S CAN TO BE INSTALLED BY CONTRACTOR. POWER SUPPLY TO RUN THRU SCH 80 CONDUIT UNDERGROUND FROM METER CAN TO F.P.L. SOURCE BY F.P.L. CONTRACTOR SHALL COORDINATE AND PAY ALL INSTALLATION FEES FOR THE WORK BY F.P.L..
I	_____ AMP, FUSED SAFETY DISCONNECT SWITCH IN NEMA 4X STAINLESS STEEL ENCLOSURE WITH LOCKING PLATE. ELECTRICAL LIGHTNING ARRESTOR SHALL BE SQUARE D. CONTRACTOR TO INSTALL THE EXTERNAL LIGHTING ARRESTOR. POWER SUPPLY TO CONTROL PANEL SHALL EXIT THRU UNDERSIDE.
J	2" CONDUIT FOR CABLES (3 REQUIRED). FROM TOP OF SWEEP TO CONTROL PANEL TO BE 316 STAINLESS STEEL & FROM TOP OF SWEEP TO INSIDE OF WETWELL TO BE PVC SCH. 80. CLAMP TO BOTTOM STRUT OF CONTROL PANEL WITH STAINLESS STEEL CONDUIT CLAMPS.
K	3/4" STAINLESS STEEL PIPE WITH (2) 90° BENDS. BACKFLOW PREVENTER AND HOSE BIB TO BE CLAMPED TO PANEL SUPPORT SYSTEM (3 S.S. CLAMPS MIN.).
L	3/4" POLYETHYLENE TUBING FROM WATER METER.
M	CONSTRUCT 3000 PSI CONCRETE SLAB - _____ FT X _____ FT X 6" THICK WITH WIRE MESH REINFORCED.
N	WORM DRIVE CLAMPS (ALL 316 STAINLESS STEEL) (TYPICAL) (3 MINIMUM)
O	1" PVC SCH 80 CONDUIT FROM CONTROL PANEL TO ANTENNA FOR EXTERIOR LIGHT.
P	ONE (1) NUMBER 6 WIRE GROUND IN 1/2" SCH 80 PVC CONDUIT.
Q	3/4" DIAMETER BY 10 FEET LONG COPPER ENCASED STEEL GROUND ROD.
R	THREADED RIGID STAINLESS STEEL CONDUIT. SIZED AS REQUIRED BY FULL LOAD AMPERAGE.
S	CAST ALUMINUM TYPE LB FITTING WITH ALUMINUM CAP.
T	ELECTRICAL CONTRACTOR SHALL INSTALL PROPER HOLES, FITTINGS AND SEALANT TO SUIT REQUIRED CONDUITS.
U	HEAVY DUTY MECHANICAL INTERLOCK FOR EMERGENCY POWER TRANSFER.
V	PANDUIT TO BE FILLED TO ONLY 50% CAPACITY.
W	ELECTRICAL SUPPLY TO LIFT STATION SHALL BE PROVIDED BY UNDERGROUND LINES FROM POLE TO LIFT STATION.
X	SCHEMATIC SHOWN IS BASED ON 230V, 1PH, 3 WIRE PRIMARY POWER SERVICE. PANEL SCHEMATIC AND COMPONENTS MAY VARY WITH USE OF ANOTHER PRIMARY POWER SERVICE. SHOP DRAWINGS, INCLUDING PANEL LAYOUT, SCHEMATIC AND COMPLETE PARTS LIST SHALL BE SUBMITTED TO CHARLOTTE COUNTY UTILITIES FOR APPROVAL PRIOR TO PANAL CONSTRUCTION. ELLIS K. PHILPS & COMPANY, FORT MYERS, FLORIDA IS AN APPROVED COMPONENT VENDOR.
Y	PLASTIC LIFT STATION LABEL WILL BE INSTALLED ON THE INSIDE OF THE ENCLOSURE DOOR. SIGN WILL BE PROVIDED BY CONTRACTOR. SECURE LABEL TO DOOR WITH ADHESIVE OR CEMENT.

DATE: 1/1/2008

DRAWN BY: DEC

APPROVED BY: TGD

FIBERGLASS PACKAGE CONTROL PANEL NOTES CHARLOTTE COUNTY UTILITIES

PROVIDED FOR INFORMATIONAL PURPOSES ONLY. NO MODIFICATIONS WITHOUT WRITTEN CCU APPROVAL.

PAGE No. 120

NUMBER: FG-LS-CP-NOTES

NOTES:

1. ALL NUTS, BOLTS, WASHERS, SET SCREWS AND THEIR FASTENERS INSIDE WET WELL AND VALVE PIT SHALL BE TYPE 316 STAINLESS STEEL.
2. ALL WET WELLS AND VALVE VAULTS SHALL BE EXFILTRATION TESTED FOR A MINIMUM OF 2 HOURS. THE TEST SHALL CONSIST OF PLUGGING ALL INLETS AND OUTLETS, THEN FILLING THE WETWELL OR VALVE VAULT WITH WATER TO THE RIM OF THE STRUCTURE. NO LEAKAGE SHALL BE ALLOWED. FILL STRUCTURE 24 HOURS PRIOR TO THE TIME OF TESTING.
3. IN THE ABSENCE OF A FENCE, ALL HATCHES, PANELS AND ENCLOSURES SHALL BE LOCKED TO PROHIBIT ENTRY OF ANIMALS AND UNAUTHORIZED PERSONS AS REQUIRED BY F.A.C. RULE 62-604.400(2)(D).
4. FINISHED GRADE OF LIFT STATION TOP MUST BE ABOVE 25 YEAR FLOOD ELEVATION AS REQUIRED BY F.A.C. RULE 62-604.400(2)(E).
5. LIFT STATION IS TO HAVE AN ACCESS DRIVE A MINIMUM OF 12' WIDE AND CONTINUOUS FROM ROAD TO WET WELL SLAB. ACCESS DRIVE IS TO BE BUILT PER CHARLOTTE COUNTY PUBLIC WORKS MINIMUM DESIGN STANDARDS FOR DRIVEWAYS.

DATE: 1/1/2008

DRAWN BY: DEC

APPROVED BY: TGD

NOTES

CHARLOTTE COUNTY UTILITIES

PROVIDED FOR INFORMATIONAL PURPOSES ONLY. NO MODIFICATIONS WITHOUT WRITTEN CCU APPROVAL.

PAGE No. 121

NUMBER: 08-FG-LS-NOTES